

PHILIPS Product Information Sheet

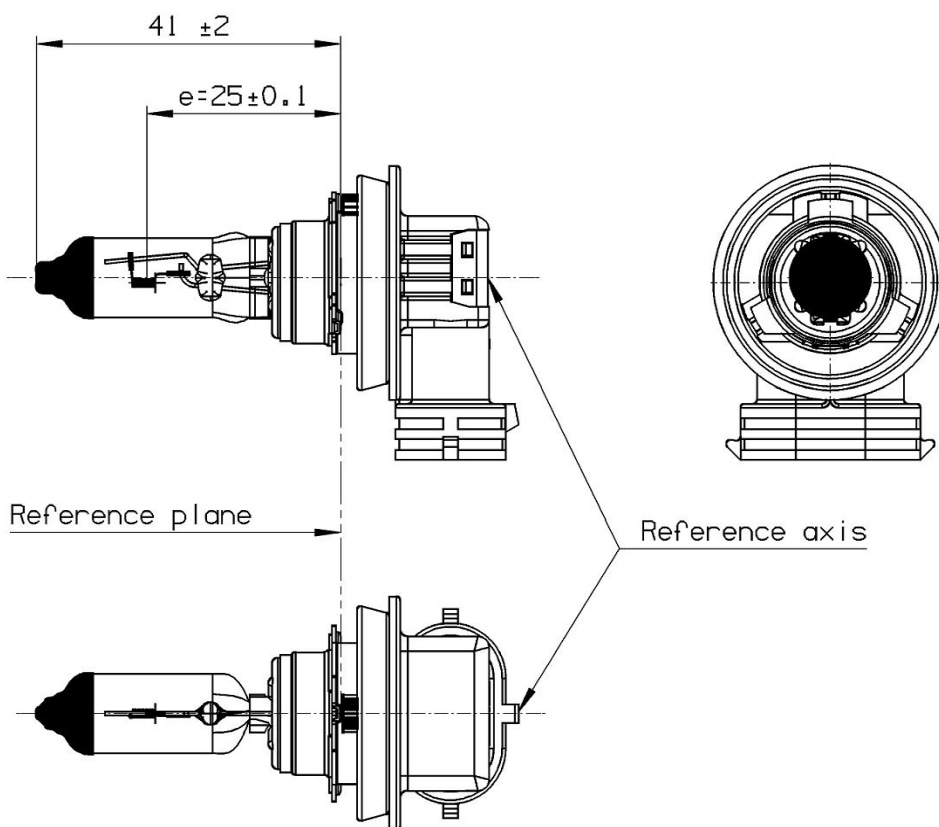
H16 12V 19W

Product identification

Description	H16 12V 19W	ECE R 37	E1 2Z9
Category	Halogen Bulb	DOT	no
Cap (*)	PGJ19-3		
Type number	12366		
Part number	9235 443 17100		

(*) cap in accordance with IEC60061-1

Drawing (all dimensions in mm if not otherwise stated)



The upper left view is representing the operating position

Technical Data

	Symbol [unit]	ECE R37	
Test Voltage	U [V]	13,2	
Power	P [W]	26 max.	
Luminous flux	Φ [lm]	500 +10% -15%	
Lumen maintenance	Φ/Φ_0 [%]	85 min.	
Rated lifetime	t [h]	B3/Tc = 500/1000	
Maximum permissible temperatures [°C]			
	Bulb	800	
	Pinch	400	
	Cap	160	

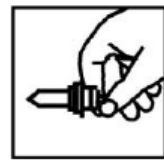
PHILIPS Product Information Sheet

H16 12V 19W

Application / Usage / Operation Recommendations

Bulb operating position	horizontal
-------------------------	------------

Recommendations for correct handling of lamps



Process	Recommendation
Storage	Do not store lamps outdoors
	Avoid heat and contact with excessive humidity / water
	Avoid large temperature variations
	Avoid heavy mechanical impact (drop, shock, vibration)
	Store lamps only in original packaging and in correct top / bottom position
	Do not stack palettes of lamps
	Manage good stock rotation (FIFO)
Transport	Avoid mechanical shocks and vibrations
	Use original packaging between warehouse and production line
Handling	Handle the lamps with clean gloves
	Wear safety glasses when manipulating bulbs
	Touch the lamp at the cap only
	Avoid contact with other materials. If this should happen, please clean bulb surface with alcohol afterwards
	Keep lamps on the trays of their original packaging until they are finally mounted
	Avoid all mechanical contact between the surface of the lamp and sub-assemblies, cables, feeders, etc. as it might cause damage
Operation	Do not apply voltages significantly higher than those given in the "Technical Data" section
	Bulbs must be operated only in closed lighting systems
	The manufacturer will not accept any liability for injury or damage caused by wrong use or improper equipment